

EXCEL  
*life*

WHERE SMART MEETS STYLE

WIRING  
DEVICES FOR  
COMMERCIAL  
APPLICATIONS



CATALOGUE  
PAGES  
→ INSIDE

THE GLOBAL SPECIALIST  
IN ELECTRICAL AND DIGITAL BUILDING INFRASTRUCTURES

 **legrand**<sup>®</sup>

# SOLUTIONS FOR COMMERCIAL



Add charging stations to conference halls and meeting rooms  
See page 36

EC787/2XWE + EMUSB2PSAW + EMUSB1CWE

## EFFICIENCY TIPS

Try these skirting sensor lights in corridors  
See page 38



EC511WE



ES650TD2WE

Fan controller with Time-delay  
Ideal for conserving energy, automatically turns fan off after chosen time.  
See page 42



ES770/26PLWE + 2 x EM770WE

Secure Plate Switches  
Ideal for areas prone to vandalism  
See page 42



EC798WE

International Standard Shaver Socket  
See page 38

## MECHANISMS FOR EVERY PROJECT IMPROVING PRODUCTIVITY AND CONVENIENCE

Whether your latest project is an office, restaurant or retail store, Excel Life has everything you need to facilitate and improve the behind-the-scenes of businesses and organisations - it offers the most comprehensive range of functions, in one range, on the market.

Product Environmental Profiles (PEPs) are available for key products - outlining materials, manufacturing, distribution, usage and end-of-life product management.



077599

Wireless Chargers  
Perfect for public spaces and high traffic areas  
See page 31

## CUSTOMISE THE PERFECT PANELS FOR STAFF-ONLY AREAS

See page 41



ECCW2HPLWE + 2 x EC770/66PLWE + EM800BPBLWE + EM800BPRDWE + EMRCARDWE + EM820BL1WE + EMRJ45C6WE + EMRJ45C6BU + 2 x EM400TRWE + 2 x EMFCWE + EM770WE + EM770CARED

ECCW2HPLWE + EC770/66PLWE + EM800BPBLWE + EM800BPRDWE + EMRCARDWE + EMRCAYELWE + EMRJ45C6WE + EMRJ45C6BU + ECFRAME + 2 x EM910HDMIWE + EM910USBWE

Multimedia Panels  
Data, video and audio distribution for meeting and function rooms  
See page 41

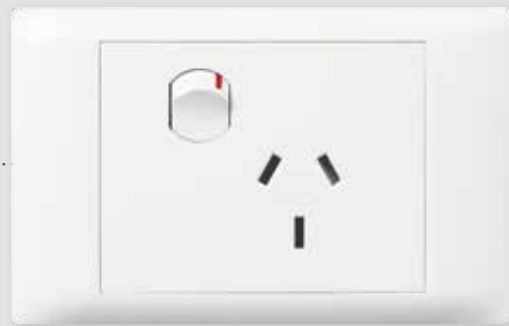


# FAST & SAFE POWERPOINTS TO INSTALL

## METICULOUSLY ENGINEERED POWERPOINTS

We've taken the time to look at single and double powerpoints to make them fast and safe to install. Featuring funnel shaped terminals and super-hard deep screw heads, these powerpoints will withstand the force of any drill.

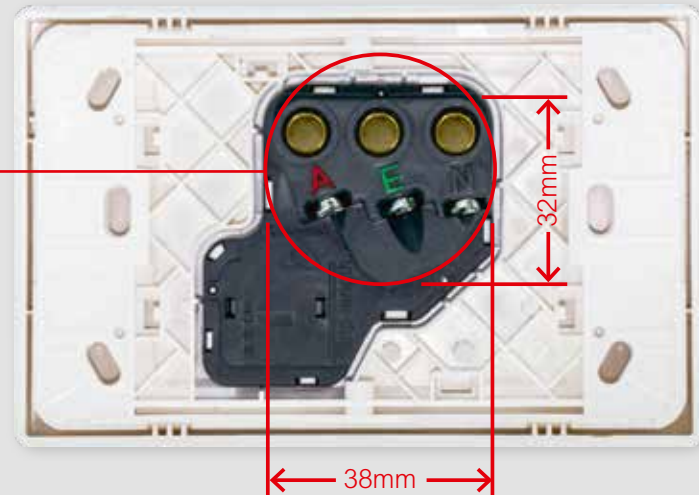
SINGLE POWERPOINT



ED787WE

**Inbuilt Child Safety Shutters**  
Ensures no accidental contact with live components

**Easy Install in Cabinetry**  
Fits into 1 x Ø40mm hole



**Small Footprint**  
Only 38mm wide

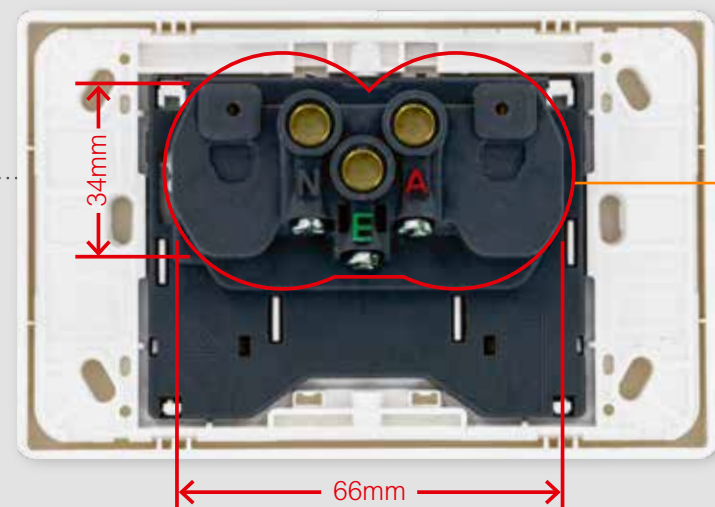
DOUBLE POWERPOINT



ED777WE

**Inbuilt Child Safety Shutters**  
Ensures no accidental contact with live components

**Easy Install in Cabinetry**  
Fits into 2 x Ø40mm holes



**Small Footprint**  
Only 66mm wide

### INNOVATIONS ACROSS THE SINGLE AND DOUBLE POWERPOINTS

Guided Cable Terminals



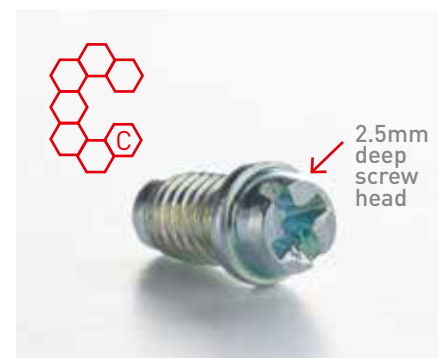
Over-Sized Mounting Holes



Raised Insulation Barriers



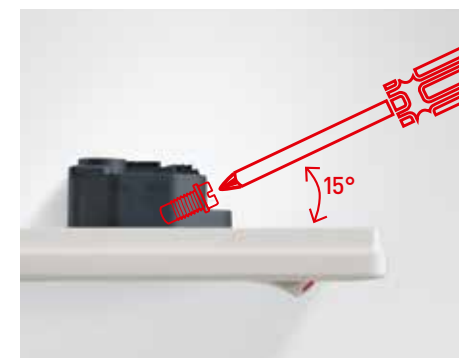
Carburised Steel Screws



Captive Screws



Ergonomically Angled Screws





# INNOVATIVE CHARGING SOLUTIONS



## FASTEST USB POWERPOINTS

In this modern world, speed counts. Our USB powerpoints super charge at 2 x 2.4A, the fastest on the market! They have been designed to charge devices at their maximum speed including the latest products.



EC777USB2ACWE

### FUTURE-PROOF YOUR CHARGING

Our Hybrid Type A+C charger allows the use of Type-A USB charging which is currently the standard. It also includes a Type-C port for newer electronics such as Apple & Samsung devices



EC770/36PLWE + 3 x EMUSB2PSAWE

### MAKE A MEGA USB CHARGING STATION

Add to kitchen pantries, nooks and studies for a tidier charging solution



EC777USB2IWE

### EASY RETROFIT

This double powerpoint with Integrated USB makes wall boxes and masonry applications a breeze. Available in dual Type A or Type A+C



EDWCWEMS

### CHARGE WITHOUT CORDS

Convenient charging without the hassle of cords. Simply place your device\* on the cradle to charge the battery

\*Qi compatible devices only. For full list of compatible devices visit [www.wirelesspowerconsortium.com](http://www.wirelesspowerconsortium.com)



### MOVING TOWARD USB-C

USB Type-C has been adopted by all the major tech companies. Boasting faster charging and ease of use, USB-C is compatible with all the latest devices including iPad Pro, iPad 8G, iPhone 12 and MacBook Pro.





## Light switches common plate series



Pack	Cat No.	Common plate vertical switches 230-240V a.c.
10	EC770/1WE	<b>Rocker mechanism SPDT 16A fluoro rated 16AX</b> ○ White - 1 gang
10	EC770/2WE	○ White - 2 gang
10	EC770/3WE	○ White - 3 gang
10	EC770/4WE	○ White - 4 gang
10	EC770/5WE	○ White - 5 gang
10	EC770/6WE	○ White - 6 gang
10	EC770/40WE	<b>Rocker mechanism 40A</b> ○ White - 1 gang
10	EC770/40DPWE	<b>Rocker mechanism double pole 40A</b> ○ White - 1 gang
10	EC770/40DPCTPWE	<b>Rocker mechanism double pole engraved 'COOKTOP' 40A</b> ○ White - 1 gang

## Light switches common plate series IP66



Pack	Cat No.	Common plate vertical switches IP66 230-240V a.c.
5	EC770/1HIPWE	<b>Rocker mechanism SPDT 16A fluoro rated 16AX</b> ○ White - 1 gang
5	EC770/2HIPWE	○ White - 2 gang
5	EC770/1HIPWE	<b>Common plate horizontal switches IP66 230-240V a.c.</b> <b>Rocker mechanism SPDT 16A fluoro rated 16AX</b> ○ White - 1 gang
5	EC770/2HIPWE	○ White - 2 gang

## Powerpoints – common plate series



Pack	Cat No.	Common plate horizontal double powerpoints 230-240V a.c.
10	EC777WE	Internal safety shutters in all powerpoints <b>Double powerpoint 10A</b> ○ White
10	EC777XWE	<b>Double powerpoint with extra function hole 10A</b> ○ White
10	EC777AWE	<b>Double autoswitch powerpoint 10A</b> ○ White
10	EC777DPWE	<b>Double powerpoint double pole 10A</b> ○ White
10	EC777RWE	<b>Double round-earth powerpoint 10A</b> ○ White
10	EC777/15WE	<b>Double powerpoint 15A</b> ○ White
10	EC777/15DPWE	<b>Double powerpoint double pole 15A</b> ○ White
10	EC777/15XWE	<b>Double powerpoint with extra function hole 15A</b> ○ White
10	EC777USB2IWE	<b>Common plate horizontal USB powerpoints 230-240V a.c.</b> Internal safety shutters on all powerpoints <b>Double powerpoint 10A, with integrated USB charger 2.4A Type A</b> ○ White
10	EC777USB2IACWE	<b>Double Powerpoint 10A, with integrated USB charger 2.4A Type A+C</b> ○ White

Pack	Cat No.	Common plate vertical double powerpoints 230-240V a.c.
10	ECV777WE	Internal safety shutters in all powerpoints <b>Vertical double powerpoint 10A</b> ○ White
10	ECV777XWE	<b>Vertical double powerpoint with extra function hole 10A</b> ○ White
10	ECV777AWE	<b>Vertical double autoswitch powerpoint 10A</b> ○ White

AVAILABLE FROM JULY 2021

Red catalogue number: new product

## Powerpoints – common plate series



Pack	Cat No.	Common plate horizontal single powerpoints 230-240V a.c. Internal safety shutters in all powerpoints
10	EC787WE	<b>Single powerpoint 10A</b> ○ White
10	EC787XWE	<b>Single powerpoint with extra function hole 10A</b> ○ White
10	EC787/2XWE	<b>Single powerpoint with 2 extra function holes 10A</b> ○ White
10	EC787AWE	<b>Single autoswitch powerpoint 10A</b> ○ White
10	EC787ARWE	<b>Single autoswitch round-earth powerpoint 10A</b> ○ White
10	EC787DPWE	<b>Single double pole powerpoint 10A</b> ○ White
10	EC787RWE	<b>Single round-earth powerpoint 10A</b> ○ White
10	EC787/15WE	<b>Single powerpoint 15A</b> ○ White
10	EC787/15XWE	<b>Single powerpoint with extra function hole 15A</b> ○ White
10	EC787A/15WE	<b>Single autoswitch powerpoint 15A</b> ○ White
10	EC787/15DPWE	<b>Single double pole powerpoint 15A</b> ○ White
10	EC787/20WE	<b>Single powerpoint 20A</b> ○ White

Pack	Cat No.	Common plate horizontal single powerpoints 230-240V a.c. Internal safety shutters in all powerpoints
10	EC787/25WE	<b>Single powerpoint 25A</b> ○ White
10	EC787U/32WE	<b>Single powerpoint 32A unswitched</b> ○ White
10	ES777WE	<b>Secure plate horizontal powerpoints 230-240V a.c.</b> Internal safety shutters in all powerpoints
10	ES787WE	<b>Double powerpoint 10A</b> ○ White
10	ES787WE	<b>Single powerpoint 10A</b> ○ White
10	ECV787WE	<b>Common plate vertical single powerpoints 230-240V a.c.</b> Internal safety shutters in all powerpoints
10	ECV787XWE	<b>Vertical single powerpoint 10A</b> ○ White
10	ECV787XWE	<b>Vertical single powerpoint with extra function hole 10A</b> ○ White
10	ECV787/2XWE	<b>Vertical single powerpoint with 2 extra function holes 10A</b> ○ White
10	ECV787RWE	<b>Vertical single round-earth powerpoint 10A</b> ○ White
10	ECV787ARWE	<b>Vertical single autoswitch round-earth powerpoint 10A</b> ○ White
10	ECV787/15WE	<b>Vertical single powerpoint 15A</b> ○ White
10	ECV787A/15WE	<b>Vertical single autoswitch powerpoint 15A</b> ○ White

## Mechanical mechanisms



Pack	Cat No.	Rotary switch mechanisms 230-240V a.c., 16A All-in-one solution comes with 6 marking plate options and 180°, 270° and 360° rings
10	EMRSWE	○ White
10	EMRSUG	● Urban Grey
10	EMRSBL	● Black
10	EM820KLIWE	<b>Keylock switch mechanisms 230-240V a.c., 20A</b> Key removable in 'ON' only position fluoro rated 20AX
10	EM820KLIUG	○ White
10	EM820KLIUG	● Urban Grey
10	EM820KLOWE	<b>Key removable in 'OFF' only position fluoro rated 20AX</b>
10	EM820KLOUG	○ White
10	EM820KLOUG	● Urban Grey
10	EM820KLIOWE	<b>Key removable in 'OFF' or 'ON' position fluoro rated 20AX</b>
10	EM820KLIUG	○ White
10	EM820KLIUG	● Urban Grey
10	EM820BL1WE	<b>BiLock™ switch mechanisms* 230-240V a.c., 20A</b> Suitable for high security applications. Can be installed on 1 gang plate or single powerpoint with 2 extra function holes and blanking insert
10	EM820BL1WE	<b>Key removable in 'ON' only position fluoro rated 20AX</b> ○ White
10	EM820BL0WE	<b>Key removable in 'OFF' only position fluoro rated 20AX</b> ○ White
10	EM820BL10WE	<b>Key removable in 'OFF' or 'ON' position fluoro rated 20AX</b> ○ White
1	EM770/20KT	<b>Mechanical keytag switches 230-240V a.c., 20A</b> <b>Single pole single throw</b> ○ White
10	EM20A/4KTWE	<b>Mechanical keycard assembly 4x single pole single throw</b> ○ White

\*Key not supplied and must be sourced from approved BiLock™ locksmiths

Pack	Cat No.	Internal safety shutters in all powerpoints Used in conjunction with ECFRAME, Inserts and EDCWPLWE or ECCWPLWE coverplates
10	EM787AWE	<b>Powerpoint horizontal mechanisms 230-240V a.c.</b> <b>Single autoswitch powerpoint mechanism 10A</b> ○ White
10	EM787AUG	● Urban Grey
10	EM787WE	<b>Single powerpoint mechanism 10A</b> ○ White
10	EM787ARWE	<b>Single round earth autoswitch powerpoint mechanism 10A</b> ○ White
10	EM787A/15WE	<b>Single autoswitch powerpoint mechanism 15A</b> ○ White
10	EM787U/20WE	<b>Single unswitched powerpoint mech</b> ○ White 20A
10	EM787U/25WE	○ White 25A
10	EMV787WE	<b>Powerpoint vertical mechanisms 230-240V a.c.</b> <b>Vertical single powerpoint mechanism 10A</b> ○ White
10	EMV787AWE	<b>Vertical single autoswitch powerpoint mech</b> ○ White 10A
10	EMV787A/15WE	○ White 15A
10	EA910/0WE	<b>Common Frame Inserts</b> One module inserts for custom made applications. Insert dimension 25 x 57mm
10	EA910/0UG	<b>Blank insert - 1 Module</b> ○ White
10	EA910/0BL	● Urban Grey
10	EA910/0BL	● Black
10	EA910/1WE	<b>1 gang insert - 1 Module</b> ○ White
10	EA910/1UG	● Urban Grey
10	EA910/1BL	● Black
10	EA910/2WE	<b>2 gang insert - 1 Module</b> ○ White
10	EA910/2UG	● Urban Grey
10	EA910/2BL	● Black



## Electronic devices



Pack	Cat No.	Hospitality 230-240V a.c.	Pack	Cat No.	Wireless Chargers
4	EC915WE	<b>Common Plate Series emergency stop push-button 1/4 turn 3AX</b> ○ White	1	ECWCWEMS	<b>Wall-mount 1A</b> Supplied complete with grid & plate ○ White
10	EC917WE	<b>Common Plate Series buzzer 240V a.c., sound level 80dB at 1m</b> ○ White	10	ECUSBWE	<b>Audio and video devices</b> <b>USB type A female outlet</b> ○ White
6	EC918WE	<b>Common Plate Series electronic bell 12-48V, sound level 80dB at 1m</b> ○ White	6	EC910J35WE	<b>3.5mm female audio outlet</b> ○ White
10	EAKEYFOB	<b>Key fob supplied with label holder for individual hotel identification</b> ○ White	4	EC920HDMIWE	<b>HDMI outlet rear pluggable</b> ○ White
10	ECKFSWE	<b>Common Plate Series electronic key fob switch with 30 second time delay</b> ○ White	8	EC920LJWE	<b>Loudspeaker outlet IP41, 6mm terminal capacity</b> ○ White
10	EC20A/4KTWE	<b>Common Plate Series mechanical keycard 85mmx54mm switch white 4 x 20A</b> ○ White	10	EC920MSVIDWE	<b>S-Video outlet mini din</b> ○ White
6	EC924WE	<b>Common Plate Series hotel corridor call indicator 6A</b> ○ White	10	EC920VGAWWE	<b>VGA outlet female connection</b> ○ White
8	EC925WE	<b>Common Plate Series hotel guest room call control 10A</b> ○ White	6	EC914WE	<b>Common Plate Series no touch switch 230-240V a.c., 4A</b> ○ White
6	EC923TWE	<b>Common Plate Series programmable time delay switch 230-240V a.c., 16A</b> Up to 8 weekly programmes, 20hrs working reserve ○ White	6	EC510WE	<b>Common Plate Series skirting lights 230-240V a.c.</b> <b>Permanent skirting light adjustable intensity 0.2 or 1W</b> ○ White
2	EC798WE	<b>Common Plate Series shaver outlet 230-240V a.c., 22VA</b> ○ White	4	EC511WE	○ White
8	EC919WE	<b>Common Plate Series shutter, blind, curtain control 230-240V a.c.</b> <b>Push-button switch (via relay)</b> 6A fast connection terminals ○ White	6	EC520WE	○ White White colour LED
8	EC920WE	<b>Push-button switch (direct control)</b> 6AX (fluoro rated) fast connection terminals ○ White	6	EC521WE	○ White Blue colour LED
			6	EC524WE	○ White Green colour LED
			4	EC570WE	○ White Red colour LED
			4	EC571WE	○ White White colour LED
			4	EC572WE	○ White Green colour LED
			4	EC573WE	○ White Blue colour LED

## Cable management, circuit identification and accessories



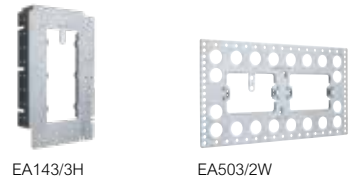
Pack	Cat No.	Cable management
10	EMCCWE	<b>Cord clamp</b> ○ White
10	EMCCUG	● Urban Grey
10	EM910RPWE	<b>Plug and cable retainer module</b> 25x57mm ○ White
10	EMCLIDWE	<b>Circuit identification</b> <b>Blank insert with clear cap used for circuit identification</b> ○ White
10	EMCLIDUG	● Urban Grey
10	EMCLIDBL	● Black
10	ECFRAME	<b>Accessories</b> <b>Support frame</b> Accepts: 3 x 25x57mm inserts or 1 x 50x57mm & 1 x 25x57mm inserts ○ White
50	EAPP	<b>Transparent paint and damage protection shell</b> ○ White
1	EA751	<b>Insulation shroud</b> ○ White
1	EAPWDSREW	<b>Public Works Department mechanism retention kit</b> ○ White - 1 - 4 gang
10	EAPWD5GKIT	○ White - 5 gang
10	EAPWD6GKIT	○ White - 6 gang
10	EACIDLABELWE	<b>Circuit identification labels</b> To be used with EMCLIDWE/UG/BL 10 sheets, 96 labels per sheet ○ White
10	EACIDLABELBU	● Blue
10	EACIDLABELRED	● Red
10	EACIDLABELYE	● Yellow

## Panel mount adaptors, inserts and mounting blocks



Pack	Cat No.	Panel mount adaptors
	EA910PMAWE	Suitable for panel thickness of 0.7mm to 3mm 1 Module accepts 1 x 25x57mm inserts 2 Module accepts 50x57mm or 2 x 25x57mm inserts ○ White - 1 module
	EA920PMAWE	○ White - 2 modules
		<b>Support frame inserts</b> One module inserts for custom made applications. Insert dimension 25 x 57mm
10	EA910/0WE	<b>Blank insert - 1 module</b> ○ White
10	EA910/0UG	● Urban Grey
10	EA910/0BL	● Black
10	EA910/1WE	<b>1 gang insert - 1 module</b> ○ White
10	EA910/1UG	● Urban Grey
10	EA910/1BL	● Black
10	EA910/2WE	<b>2 gang insert - 1 module</b> ○ White
10	EA910/2UG	● Urban Grey
10	EA910/2BL	● Black
10	140WE	<b>Mounting blocks</b> <b>Surface mounting block</b> 37mm deep, suits powerpoints, switches and electronic mechanisms ○ White
10	EA140UG	● Urban Grey
10	140BL	● Black
10	ECCWGPLWE	<b>Deep mounting block and coverplate</b> <b>Common Plate Series only</b> ○ White

## Installation brackets



EA143/3H EA503/2W

Pack	Cat No.	Mounting brackets 84mm spacing centres
<b>Stud Bracket</b>		
10	143	Horizontal stud bracket
10	143/2	Horizontal stud bracket with nails
10	143/2V	Vertical stud bracket with nails
10	143U	Universal horizontal or vertical stud bracket with nails
10	EA143/2W	2 gang horizontal stud bracket
10	EA143/3W	3 gang horizontal stud bracket
10	EA143/2H	2 gang vertical stud bracket
10	EA143/3H	3 gang vertical stud bracket
10	EA143/4H	4 gang vertical stud bracket
<b>Render Bracket</b>		
20	954	1 gang render bracket
10	EA503/2W	2 gang horizontal render bracket
10	EA503/3W	3 gang horizontal render bracket
10	EA503/2H	2 gang vertical render bracket
10	EA503/3H	3 gang vertical render bracket
10	EA503/4H	4 gang vertical render bracket

## Installation brackets and wall boxes



712 429R

Pack	Cat No.	Mounting brackets 84mm spacing centres
<b>Plaster Bracket</b>		
50	711	Plaster 6.5mm board bracket
50	712	Plaster 10mm board bracket
<b>Wall Boxes</b>		
<b>Plastic wall box</b>		
10	429R	Recessed wall box with sliding nuts, retention clips and protective cover
<b>Fire and acoustic wall box</b>		
1	435	Cable entry top and rear. Fastening arms allow for 10mm to 32mm thick plaster/cement boards. 2hr and 3hr fire rated. Weighted sound reduction index (Rw) 62

## Coverplates



EC770/0GPLWE EC770/2GPLWE ECCWGPLWE



ECCW4HPLWE

Pack	Cat No.	Dedicated Plate Series module grid and coverplate only
<b>2 module grid and coverplate only</b> Suits 2 module insert 45x45mm		
10	ED920GPLWE	○ White
10	ED920GPLBL	● Black
<b>Common Plate Series grids and coverplates only</b>		
10	EC770/0GPLWE	○ White - Blank
10	EC770/1GPLWE	○ White - 1 gang
10	EC770/2GPLWE	○ White - 2 gang
10	EC770/3GPLWE	○ White - 3 gang
10	EC770/4GPLWE	○ White - 4 gang
10	EC770/5GPLWE	○ White - 5 gang
10	EC770/6GPLWE	○ White - 6 gang
<b>Common Plate Series deep mounting block and coverplate only</b>		
10	ECCWGPLWE	○ White
<b>Common Plate Series module grids and coverplates only</b>		
<b>1 module grid and coverplate only</b> Suits 1 module insert 25x57mm		
10	EC910GPLWE	○ White
<b>2 module grid and coverplate only</b> Suits 2 module insert 45x45mm		
10	EC920GPLWE	○ White - 6 gang

Pack	Cat No.	Common Plate Series – Coverplate Only
10	ECCWPLWE	<b>1 gang coverplate</b> ○ White
10	ECCW2WPLWE	<b>2 gang coverplate- horizontal</b> ○ White
10	ECCW3WPLWE	<b>3 gang coverplate- horizontal</b> ○ White
10	ECCW2HPLWE	<b>2 gang coverplate- vertical</b> ○ White
10	ECCW3HPLWE	<b>3 gang coverplate- vertical</b> ○ White
10	ECCW4HPLWE	<b>4 gang coverplate- vertical</b> ○ White



Secure series



ES777WE



ES770/5GPLWE

Pack	Cat No.	Horizontal powerpoints 230-240V a.c. Internal safety shutters in all powerpoints
10	ES777WE	<b>Double powerpoint 10A</b> ○ White
10	ES787WE	<b>Single powerpoint 10A</b> ○ White
10	ES650TD2WE	<b>Fan controllers with Time-delay</b> Fan speed controller 650VA with auto-switch OFF time delay <b>2Hr time delay</b> ○ White - Blank
10	ES650TD3WE	<b>3Hr time delay</b> ○ White - 1 gang
10	ES770NVWE	<b>No-volt switch</b> ○ White

Pack	Cat No.	Secure series grids and coverplates only
10	ES770/0GPLWE	○ White - blank
10	ES770/1GPLWE	○ White - 1 gang
10	ES770/2GPLWE	○ White - 2 gang
10	ES770/3GPLWE	○ White - 3 gang
10	ES770/4GPLWE	○ White - 4 gang
10	ES770/5GPLWE	○ White - 5 gang
10	ES770/6GPLWE	○ White - 6 gang
10	ESCWPLWE	<b>Coverplate only</b> ○ White - Blank



Fan Controllers with Time Delay  
Manage energy consumption with our fan controllers to keep costs under control.



**Secure Plate Switches**  
Our Excel Life Secure Plate Series are ideal when you need a little extra protection from theft and damage. The coverplates can only be removed with a screwdriver so they are perfect in areas prone to vandalism.

Red catalogue number: new product

Mechanical mechanisms



Pack	Cat No.	Rocker switch mechanisms 230-240V a.c., 16A
10	EM770WE	<b>Single pole double throw fluoro rated 16AX M100 motor rating</b> ○ White ● Urban Grey ● Black ○ Matt White ● Matt Black
10	EM770UG	
10	EM770BL	
10	EM770MW	
10	EM770MB	
10	EM770LEDFWE	
10	EM770LEDFUG	
10	EM770LEDFBL	
10	EM770XWE	<b>Single pole double throw spring return</b> ○ White ● Urban Grey ● Black
10	EM770XUG	
10	EM770XBL	
10	EM770DPWE	<b>Double pole single throw fluoro rated 10AX</b> ○ White ● Urban Grey ● Black
10	EM770DPUG	
10	EM770DPBL	
10	EM770PRDWE	<b>Double pole single throw with Red indicator fluoro rated 10AX</b> ○ White ● Urban Grey
10	EM770PRDUG	
10	EM770DUOWE	<b>2 x single pole single throw fluoro rated 10AX M50 motor rating</b> ○ White ● Urban Grey
10	EM770DUOUG	
10	EM770IMWE	<b>Intermediate switch 10A fluoro rated 10AX</b> ○ White ● Urban Grey ● Black ○ Matt White ● Matt Black
10	EM770IMUG	
10	EM770IMBL	
10	EM770IMMW	
10	EM770IMMB	
10	EM770IMLEDWE	<b>Intermediate switch with illuminated Blue LED ring</b> ○ White - 1 gang
10	EM770RDWE	<b>Single pole double throw with Red indicator fluoro rated 16AX</b> ○ White ● Urban Grey
10	EM770RDUG	

Red catalogue number: new product

Mechanical mechanisms



Pack	Cat No.	Mechanical push-button switches
10	EM970WE	<b>Single Pole 2 Way switch 10A/10AX</b> ○ White ● Urban Grey ● Black ○ Matt White ● Matt Black
10	EM970UG	
10	EM970BL	
10	EM970MW	
10	EM970MB	
10	EM970LWE	
10	EM970LUGBL	
10	EM970LMW	
10	EM970LMB	<b>Intermediate switch 10A/10AX</b> ○ White ● Urban Grey ● Black ○ Matt White ● Matt Black
10	EM970IMWE	
10	EM970IMUG	
10	EM970IMBL	
10	EM970IMMW	
10	EM970IMMB	<b>Intermediate switch 10A/10AX with LED indicator</b> ○ White ● Black/Urban Grey ○ Matt White ● Matt Black
10	EM970LIMWE	
10	EM970LIMUGBL	
10	EM970LIMMW	
10	EM970LIMMB	<b>Momentary switch 10A</b> ○ White ● Urban Grey ● Black ○ Matt White ● Matt Black
10	EM970BPWE	
10	EM970BPUG	
10	EM970BPBL	
10	EM970BPMW	
10	EM970BPMB	<b>Momentary switch 10A with LED indicator</b> ○ White ● Black/Urban Grey ○ Matt White ● Matt Black
10	EM970LBPWE	
10	EM970LBPUGBL	
10	EM970LBPMW	
10	EM970LBPMB	<b>Low voltage 12V d.c. switch 5A with LED indicator</b> White/Black/Urban Grey
10	EM970LELVWEUGBL	

Red catalogue number: new product



## Mechanical mechanisms engraved



MARKED AS	Amp Rating	Mechanism Type	Pack	Cat No.				
				White	Urban Grey	Black	Matt White	Matt Black
AIR CON	16AX	SPDT	10	EM770AIRCONWE	EM770AIRCONUG	EM770AIRCONBL		
AIR CON	20A	SPDT	10	EM770/20ACWE	EM770/20ACUG			
AUTO/MAN	16AX	SPDT	10	EM770AUTOMANWE	EM770AUTOMANUG	EM770AUTOMANBL		
BED1	16AX	SPDT	10	EM770BED1WE	EM770BED1UG			
BED2	16AX	SPDT	10	EM770BED2WE	EM770BED2UG			
BED3	16AX	SPDT	10	EM770BED3WE	EM770BED3UG			
BED4	16AX	SPDT	10	EM770BED4WE	EM770BED4UG			
BYPASS	16AX	SPDT	10	EM770BYPASSWE	EM770BYPASSUG			
DWASH	16AX	SPDT	10	EM770DWASHWE	EM770DWASHUG	EM770DWASHBL	EM770DWASHMW	EM770DWASHMB
DAY/NIGHT	16AX	SPDT	10	EM770DAYNIGHTWE	EM770DAYNIGHTUG			
DINING	16AX	SPDT	10	EM770DININGWE	EM770DININGUG			
DOOR	16A	SPDT	10	EM770XDOORWE	EM770XDOORUG			
EXHAUST	16AX	SPDT	10	EM770EXHWE	EM770EXHUG			
FAN	16AX	SPDT	10	EM770FANWE	EM770FANUG	EM770FANBL	EM770FANMW	EM770FANMB
FIRE	16AX	SPDT	10	EM770FIREWE	EM770FIREUG	EM770FIREBL		
FRIDGE	16AX	SPDT	10	EM770FRIDGEWE	EM770FRIDGEUG	EM770FRIDGEBL	EM770FRIDGEMW	EM770FRIDGEMB
GAMES	16AX	SPDT	10	EM770GAMESWE	EM770GAMESUG			
GARDEN	16AX	SPDT	10	EM770GARDENWE	EM770GARDENUG	EM770GARDENBL		
HEAT	16A	2XSPST	10	EM770DUOHTWE	EM770DUOHTUG			
HEAT	16AX	SPDT	10	EM770HEATWE	EM770HEATUG	EM770HEATBL	EM770HEATMW	EM770HEATMB
HOB	16AX	SPDT	10	EM770HOBWE	EM770HOBUG			
HOB	32A	SPST	10	EM770/32HOBWE	EM770/32HOBUG	EM770/32HOBBL	EM770/32HOBMW	EM770/32HOBMB
HOOD	16AX	SPDT	10	EM770HOODWE	EM770HOODUG	EM770HOODBL	EM770HOODMW	EM770HOODMB
HOT PLATE	32A	SPST	10	EM770/32HOTPWE	EM770/32HOTPUG			
HWS	20A	SPDT	10	EM770/20HWSWE	EM770/20HWSUG			
KITCHEN	16AX	SPDT	10	EM770KITCHENWE	EM770KITCHENUG	EM770KITCHENBL		
LIGHT	16AX	SPDT	10	EM770LIGHTWE	EM770LIGHTUG	EM770LIGHTBL	EM770LIGHTMW	EM770LIGHTMB
LIVING	16AX	SPDT	10	EM770LIVINGWE	EM770LIVINGUG	EM770LIVINGBL		
LOUNGE	16AX	SPDT	10	EM770LOUNGEWE	EM770LOUNGEUG	EM770LOUNGEBL		
MICRO	16AX	SPDT	10	EM770MICROWAVEWE	EM770MICROWAVEUG	EM770MICROWAVEBL	EM770MICROWAVMW	EM770MICROWAVMB
MIRROR	16AX	SPDT	10	EM770MIRRORWE	EM770MIRRORUG	EM770MIRRORBL		
OFFICE	16AX	SPDT	10	EM770OFFICEWE	EM770OFFICEUG	EM770OFFICEBL		
OUTSIDE	16AX	SPDT	10	EM770OUTSIDEWE	EM770OUTSIDEUG	EM770OUTSIDEBL		
OVEN	32A	SPST	10	EM770/32OVENWE	EM770/32OVENUG	EM770/32OVENBL	EM770/32OVENMW	EM770/32OVENMB
PRESS	16A	SPDT	10	EM770XPRESSWE	EM770XPRESSUG			
RANGE	32A	SPST	10	EM770/32RANGWE	EM770/32RANGUG	EM770/32RANGEBL	EM770/32RANGEMW	EM770/32RANGEMB
RESET	16A	SPDT	10	EM770XRESETWE	EM770XRESETUG			
RUMPUS	16AX	SPDT	10	EM770RUMPUSWE	EM770RUMPUSUG			
SENSOR	16AX	SPDT	10	EM770SENSORWE	EM770SENSORUG	EM770SENSORBL	EM770SENSORMW	EM770SENSORMB
TV	16AX	SPDT	10	EM770TVWE	EM770TVUG	EM770TVBL		
WASTE	16AX	SPDT	10	EM770WASTEWE	EM770WASTEUG	EM770WASTEBL	EM770WASTEMW	EM770WASTEMB
ZONE 1	16AX	SPDT	10	EM770ZONE1WE	EM770ZONE1UG			
ZONE 2	16AX	SPDT	10	EM770ZONE2WE	EM770ZONE2UG			
ZONE 3	16AX	SPDT	10	EM770ZONE3WE	EM770ZONE3UG			
ZONE 4	16AX	SPDT	10	EM770ZONE4WE	EM770ZONE4UG			

### Legend

SPDT = single pole, double throw  
 DPXT = double pole cross-over  
 AX = fluorescent rated switch

DPST = double pole, single throw  
 NC = normally closed

For custom engraving please contact customer service using EM770PRINTWE, EM770PRINTUG or EM770PRINTBL

Red catalogue number: new product

## Electronic mechanisms



Pack	Cat No.	Electronic push-button switch mechanisms 230-240V a.c.
10	EM883WE	Pilot LED can be programmed to be Blue or Red See p46 for wiring diagrams <b>Electronic push-button 5A fluoro rated 500VA</b> ○ White ● Urban Grey ● Black ○ Matt White ● Matt Black <b>Secondary control push-button</b> ○ White ● Urban Grey ● Black ○ Matt White ● Matt Black
10	EM883UG	
10	EM883BL	
10	EM883MW	
10	EM883MB	
10	EM800SLAVEWE	<b>Push-button dimmer mechanisms 230-240V a.c.</b> Pilot LED can be programmed to be Blue or Red. See p47 for wiring diagrams <b>Electronic push-button 350VA all-load</b> ○ White ● Urban Grey ● Black ○ Matt White ● Matt Black <b>Electronic push-button 350VA all-load (neutral required)</b> ○ White ● Urban Grey ● Black ○ Matt White ● Matt Black
10	EM800SLAVEUG	
10	EM800SLAVEBL	
10	EM800SLAVEMW	
10	EM800SLAVEMB	
10	EM400A2PWE	○ White ● Urban Grey ● Black ○ Matt White ● Matt Black
10	EM400A2PUG	
10	EM400A2PBL	
10	EM400A2PMW	
10	EM400A2PMB	

Pack	Cat No.	Fan controller mechanisms 230-240V a.c.
10	EM3FCWE	<b>3 speed, 100VA mechanism</b> ○ White ● Urban Grey ● Black <b>Spare fan controller knobs (pkt of 5)</b> ○ White ● Urban Grey ● Black
10	EM3FCUG	
10	EM3FCBL	
5	EAFANKNOBWE	<b>Rotary dimmer mechanisms 230-240V a.c.</b> New easy grip lower profile knob. Automatically dims if dimmer is overloaded or insufficiently derated <b>250VA Trailing edge</b> ○ White ● Urban Grey <b>400VA Trailing edge</b> ○ White ● Urban Grey ● Black <b>700VA Trailing edge</b> ○ White ● Urban Grey <b>2000VA leading-edge remote dimmer</b> ○ White ● Urban Grey <b>Spare dimmer knobs (pkt of 5)</b> ○ White ● Urban Grey ● Black
5	EAFANKNOBUG	
5	EAFANKNOBBL	
10	EM250TRWE	○ White ● Urban Grey
10	EM250TRUG	
10	EM250TRBL	
10	EM400TRWE	○ White ● Urban Grey ● Black
10	EM400TRUG	
10	EM400TRBL	
10	EM700TRWE	○ White ● Urban Grey
10	EM700TRUG	
10	EM2000ERC	○ White ● Urban Grey ● Black
5	EADIMKNOBWE	
5	EADIMKNOBUG	
5	EADIMKNOBBL	

Red catalogue number: new product

Electronic mechanisms



Pack	Cat No.	PIR movement sensor mechanisms 230-240V a.c.
10	EM803PIRWE	Can be programmed from 5 sec to 30min and 1 to 2,000 lux <b>Automatic 3 wire 5A</b> ○ White ● Urban Grey ● Black
10	EM803PIRUG	
10	EM803PIRBL	
10	EM803PIRSWE	<b>Manual Override 3 wire 5A</b> ○ White ● Urban Grey ● Black
10	EM803PIRSUG	
10	EM803PIRSBL	
10	EM802TDWE	<b>Programmable time delay switch mechanisms 230-240V a.c.</b> <b>2 wire all load 400VA</b> Can be programmed from 1-10 minutes in steps of 1 minute ○ White ● Urban Grey
10	EM802TDUG	
10	EM803TDWE	Can be programmed from 1-60 minutes in steps of 5 minutes ○ White ● Urban Grey
10	EM803TDWE	
10	EM803SURGEWE	<b>Surge protection switch mechanism 230-240V a.c., 500J</b> ○ White ● Urban Grey
10	EM803SURGEUG	
10	EMELVNWE	<b>Extra low-voltage 12V d.c. push-button mechanisms</b> <b>With LED indicator</b> ○ White ● Urban Grey
10	EMELVNUG	
10	EMELVWE	<b>Without LED indicator</b> ○ White ● Urban Grey
10	EMELVUG	

Red catalogue number: new product

RJ11 CAT 3 voice sockets and RJ45 CAT 5E sockets



Pack	Cat No.	RJ11 voice sockets
10	EMRJ11C3WE	Additional slot available for looping. Compatible with both Krone and IDC termination tools ○ White
10	EMRJ11C3BL	● Black
10	EMRJ11C3BU	● Blue
10	EMRJ11C3GR	● Green
10	EMRJ11C3RD	● Red
10	EMRJ11C3YE	● Yellow
10	EMRJ45C5WE	<b>RJ45 data sockets</b> Compatible with both Krone and IDC termination tools ○ White
10	EMRJ45C5EBL	● Black
10	EMRJ45C5EBU	● Blue
10	EMRJ45C5EGR	● Green
10	EMRJ45C5ERD	● Red
10	EMRJ45C5EYE	● Yellow

Red catalogue number: new product

RJ45 CAT 6 data sockets and Keystone adapters



Pack	Cat No.	RJ45 data sockets
10	EMRJ45C6WE	Compatible with both Krone and IDC termination tools ○ White
10	EMRJ45C6BL	● Black
10	EMRJ45C6BU	● Blue
10	EMRJ45C6GR	● Green
10	EMRJ45C6RD	● Red
10	EMRJ45C6YE	● Yellow
10	EMRJ45C6AWE	<b>RJ45 data sockets Cat. 6A</b> Compatible with both Krone and IDC termination tools ○ White
10	EMRJ45C6ABL	● Black
10	EMKEYSTONEAWE	<b>Keystone adapters</b> Suits Clipsal, Leviton, Hubbell, Siemon and Krone keystone jacks ○ White
10	EMKEYSTONEAUG	● Urban Grey
10	EMKEYSTONEABL	● Black
10	EMKEYSTONEBWE	<b>Suits Panduit keystone jacks</b> ○ White
10	EMKEYSTONEBUG	● Urban Grey
10	EMKEYSTONECWE	<b>Suits Systemax keystone jacks</b> ○ White
10	EMKEYSTONECUG	● Urban Grey
10	EMKEYSTONEDWE	<b>Suits Tyco/AMP keystone jacks</b> ○ White
10	EMKEYSTONEDUG	● Urban Grey
10	EMKEYSTONEEWE	<b>Suits Molex keystone jacks</b> ○ White
10	EMKEYSTONEEUG	● Urban Grey
10	EMKEYSTONELWE	<b>Suits Legrand LCS<sup>2</sup> tooless jacks</b> ○ White
10	EMKEYSTONELUG	● Urban Grey
10	EMKEYSTONELBL	● Black



Audio and video sockets and devices

USB and wireless chargers



EMFFFOXWE EMSPWE EMRCARDWE



EMUSB2PSAW 077850 EMUSB2ACWE

Pack	Cat No.	Audio and video mechanisms
10	EMHDMIWE	<b>HDMI 2.0 outlet</b> Female-to-female straight connector ○ White
10	EMFFFOXWE	<b>Video sockets F to F TV outlet</b> 75 ohm 3.0GHz (Foxtel approved) F30583 ○ White
10	EMFFFOXUG	● Urban Grey
10	EMFFFOXBL	● Black
10	EMPFWE	<b>Video sockets PAL to F TV outlet – White</b> ○ White
10	EMPFUG	● Urban Grey
10	EMPFBL	● Black
10	EMSPWE	<b>PAL to saddle TV outlet – White</b> ○ White
10	EMSPUG	● Urban Grey
10	EMSPBL	● Black
10	EMRCARDWE	<b>RCA sockets RCA to RCA outlet – Red</b> ○ White
10	EMRCARDUG	● Urban Grey
10	EMRCAYWE	<b>RCA sockets RCA to RCA outlet – White</b> ○ White
10	EMRCAYUG	● Urban Grey
10	EMRCAYLWE	<b>RCA sockets RCA to RCA outlet – Yellow</b> ○ White
10	EMRCAYLUG	● Urban Grey
10	EM800BPBLWE	<b>Audio ‘Banana’ outlet Ø 4mm – Black Marking</b> ○ White
10	EM800BPBLUG	● Urban Grey
10	EM800BPRDWE	<b>Audio ‘Banana’ outlet Ø 4mm – Red Marking</b> ○ White
10	EM800BPRDUG	● Urban Grey
12	EM910USBWE	<b>HDMI and USB extensions</b> Used with ECFRAME or EC910GPLWE, or Panel Mount Adaptors. Insert dimension 25 x 57mm
12	EM910USBBL	<b>USB insert with extension lead 150mm</b> ○ White
12	EM910HDMIWE	● Black
12	EM910HDMIBL	<b>HDMI insert with extension lead 150mm</b> ○ White
12		● Black

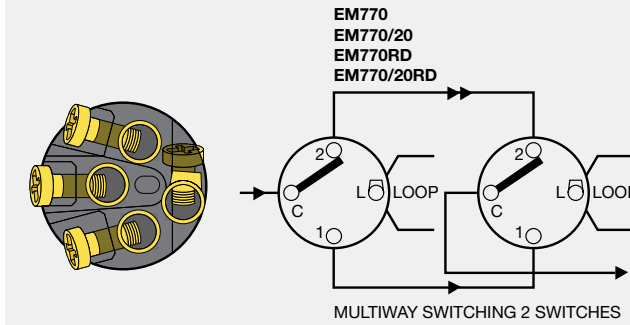
Pack	Cat No.	USB charger mechanisms 230-240V a.c.
12	EMUSB2PSAW	<b>Dual USB Charger Mechanism 2x2.4A Type A</b> ○ White
12	EMUSB2PSAUG	● Urban Grey
12	EMUSB2PSABL	● Black
12	EMUSB2ACWE	<b>Dual USB Charger Mechanism 4.8A Type A and C</b> ○ White
12	EMUSB2ACUG	● Urban Grey
12	EMUSB2ACBL	● Black
1	EMUSB1CWE	<b>USB charger mechanism, Type C, 60W (single port)</b> ○ White
1	EMUSB1CUG	● Urban Grey
1	EMUSB1CBL	● Black
		<b>Wireless Chargers</b>
		<b>Wall-mount 1A</b> Supplied complete with grid & plate
1	EDWCWEMS	○ White
1	EDWCUGMS	● Urban Grey
1	EDWCBLMS	● Black
1	ECWCWEMS	○ White
1	077599	<b>Weatherproof 1A IP66-IP67</b> ● Silver/Black
1	077580	<b>Table top/ Desk mount 1A</b> ● Silver

Red catalogue number: new product

Mechanical switch mechanism wiring diagrams

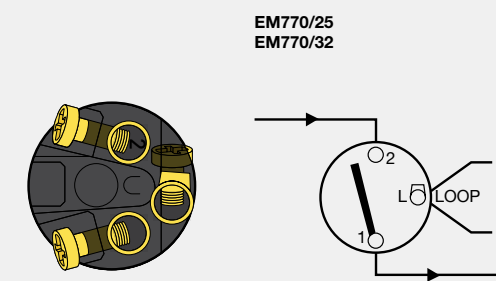
1 & 2 Way (SPDT) EM770 Series 240V a.c.

Cat. No.	Legend	Loop	Amp Rating	Body Colour
EM770 / EM770RD	SPDT	1L	16A/16AX	Black
EM770/20 / EM770/20RD	SPDT	1L	20A/20AX	Black



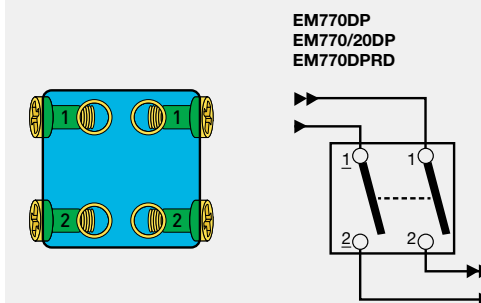
1 Way (SPST) EM770 Series 240V a.c.

Cat. No.	Legend	Loop	Amp Rating	Body Colour
EM770/25	SPST	1L	25A/20AX	Grey
EM770/32	SPST	1L	32A/20AX	Grey



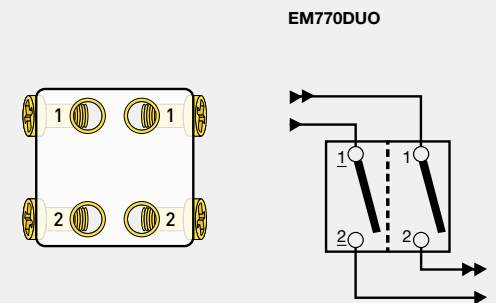
Double Pole (DPST) EM770DP Series 240V a.c.

Cat. No.	Legend	Loop	Amp Rating	Body Colour
EM770DP / EM770DPRD	DPST	0L	16A/10AX	Blue
EM770/20DP	DPST	0L	20A/10AX	Blue



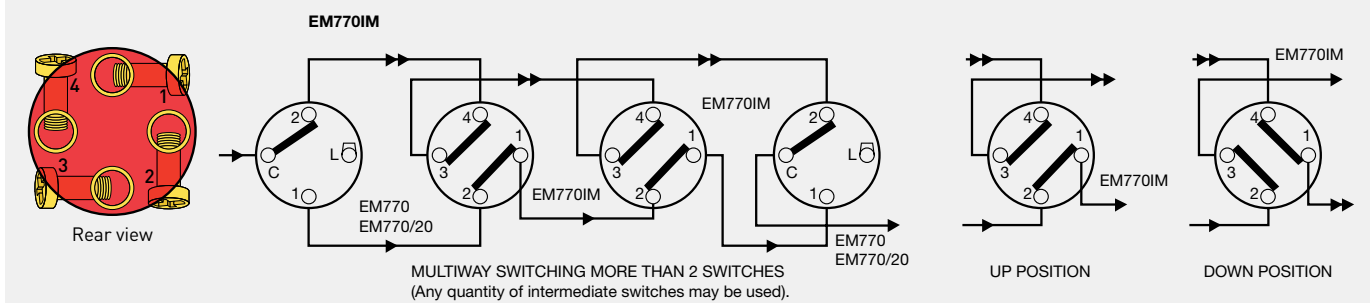
Duo Series 2 x 1 Way (2 x SPST) 240V a.c.

Cat. No.	Legend	Loop	Amp Rating	Body Colour
EM770DUO	2xSPST	0L	16A/10AX	White



Intermediate (DPXT - Crossover) EM770I Series 240V a.c.

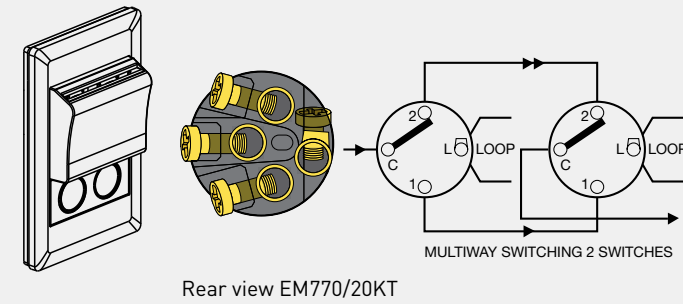
Cat. No.	Legend	Loop	Amp Rating	Body Colour
EM770IM	DPXT	0L	16A	Red



## Mechanical switch mechanism wiring diagrams

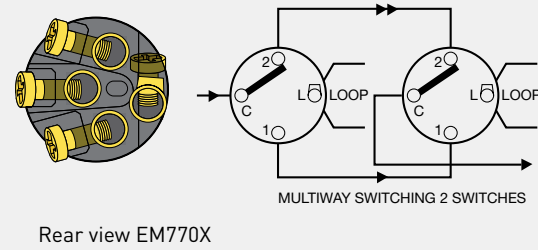
### KeyTag - 1 Way (SPST) EM770/20KT

Cat. No.	Legend	Loop	Amp Rating	Motor Rating	Body Colour
EM770/20KT	SPDT	1L	20A	M80	Black



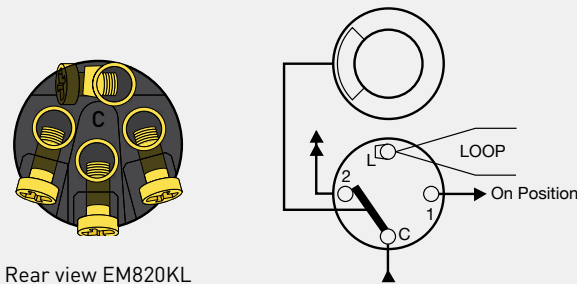
### Push-Buttons 1 & 2 Way (SPDT) - Non latching EM770X Series 240V a.c.

Cat. No.	Legend	Loop	Amp Rating	Body Colour
EM770X	SPDT	1L	16A	Black



### Keylock Switch Assembly - 1 & 2 Way (SPDT) 770 Series 240V a.c.

Cat. No.	Legend	Loop	Amp Rating	Motor Rating	Body Colour
EM820KLO	SPDT	1L	20A	M80	Black
EM820KLI	SPDT	1L	20A	M80	Black
EM820KLIO	SPDT	1L	20A	M80	Black



Colour code (Position in which key can be removed).

- WHITE - OFF [0]
- GREY - ON [I]
- BEIGE - ON [I] and OFF [0]

#### Legend

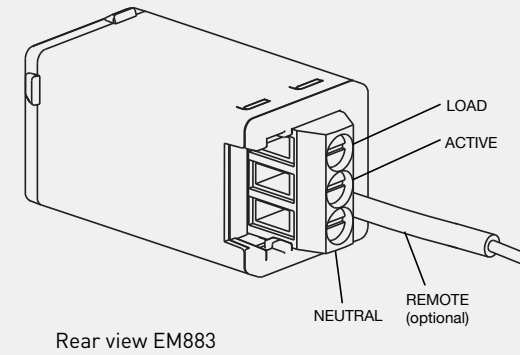
- SPST = single pole, single throw
- SPDT = single pole, double throw
- DPDT = double pole, double throw
- DPST = double pole, single throw
- DPXT = double pole cross-over
- NC = normally closed
- NO = normally opened
- L = Loop

#### Using X Rating

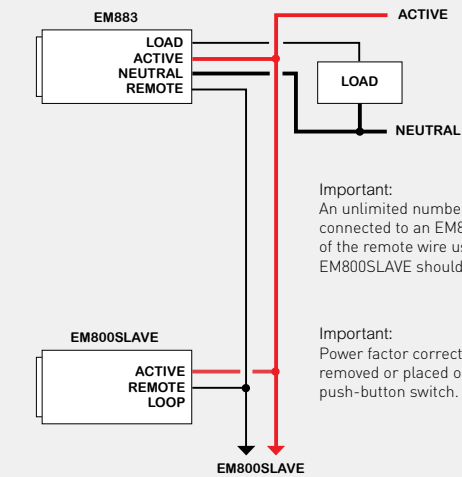
Excel Life series switches marked with an 'X' are suitable for fluorescent installations up to the switch rating.

## Electronic push-button switch mechanism wiring diagrams

### Electronic push-button switch wiring diagram EM883WE



■ Connect optional Secondary Control Buttons (EM800SLAVE) to enable switching from multiple locations.



### Technical characteristics

	Incandescent	Halogen	Fluorescent tube	Wirewound transformer	Electronic transformer	Compact fluorescent	LED	Fan motor
 + 50°C + 0°C 230-240V a.c. 50Hz	 1 x 2.5mm <sup>2</sup> 2 x 1.5mm <sup>2</sup>							
Max load	1200W	1200W	500VA	500VA	500VA	500VA	500VA	500VA

Minimum load = 0W for all load types

### LED Indicator

- The colour of the LED indicator can be either red or blue. In addition, when the switch is off the LED indicator can either glow faintly or be off completely. The four possible modes are as follows:
- To change between modes, press and hold the push-button for at least 10 seconds. This will select the next mode in the sequence above.

MODE	STATUS OF LED INDICATOR	
	SWITCH ON	SWITCH OFF
1	Bright Red	Faint Red
2	Bright Blue	Faint Blue
3	Bright Red	Off
4	Bright Blue	Off



## Electronic push-button dimmers and time-delay switches

### Electronic push-button dimmer EM400A2P Technical characteristics

Temperature +50°C +0°C 230-240V a.c. 50Hz	Terminal block 1 x 2.5mm <sup>2</sup> 2 x 1.5mm <sup>2</sup>	<ul style="list-style-type: none"> <li>Incandescent</li> <li>Halogen</li> </ul>	<ul style="list-style-type: none"> <li>Halogen or dimmable LED with electronic transformer</li> <li>Dimmable compact fluorescent</li> <li>Dimmable LED without transformer</li> </ul>	<ul style="list-style-type: none"> <li>Halogen with wirewound transformer</li> </ul>	Fluorescent tube	Fan motor	Max load	
							Max Power	Max number of transformers <sup>1</sup>
Max load	1 dimmer per plate	350W	350VA	8	X	X	X	X
	2 dimmers per plate	300W	300VA	8	X	X	X	X
	3 or more dimmers per plate	250W	250VA	8	X	X	X	X

Minimum load = 5W for all load types. Not compatible with all dimmable LEDs. Should be bench tested prior to installation

#### Note:

- In the case of dimmable compact fluorescent or dimmable LED without transformer, this is the maximum number of lamps.
- Where both max power and max number of transformers/lamps are specified, both conditions must be satisfied.
- When used in ambient temperatures greater than 25°C, the dimmer must be de-rated by 10% for every increase of 5°C.

### Electronic push-button dimmer EM400A3P Technical characteristics

Temperature +50°C +0°C 230-240V a.c. 50Hz	Terminal block 1 x 2.5mm <sup>2</sup> 2 x 1.5mm <sup>2</sup>	<ul style="list-style-type: none"> <li>Incandescent</li> <li>Halogen</li> </ul>	<ul style="list-style-type: none"> <li>Halogen or dimmable LED with electronic transformer</li> <li>Dimmable compact fluorescent</li> <li>Dimmable LED without transformer</li> </ul>	Halogen or dimmable LED with wirewound transformer <sup>2</sup>		Fluorescent tube	Fan motor	
				Max Power	Max number of transformers <sup>1</sup>			Max Power
Max load	1 dimmer per plate	350W	350VA	8	300VA	6	X	X
	2 dimmers per plate	300W	300VA	8	250VA	6	X	X
	3 or more dimmers per plate	250W	250VA	8	200VA	6	X	X

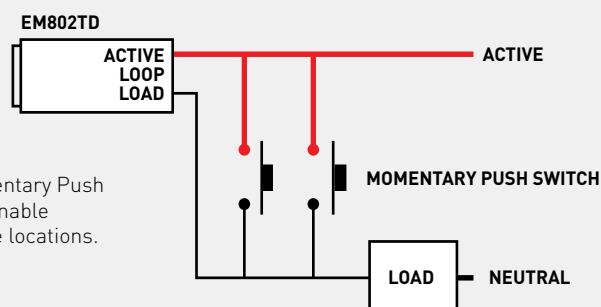
Minimum load = 5W for all load types. Not compatible with all dimmable LEDs. Should be bench tested prior to installation

### Electronic push-button time delay EM802TD/EM803TD Technical characteristics

Temperature +50°C +0°C 230-240V a.c. 50Hz	Terminal block 1 x 2.5mm <sup>2</sup> 2 x 1.5mm <sup>2</sup>	Incandescent	Halogen	Fluorescent tube	Wirewound transformer	Electronic transformer	Compact fluorescent	LED	Fan motor
		Max load [802TD]	400W	400W	400VA*	X	400VA	400VA	400VA
Max load [803TD]	1200W	1200W	500VA	500VA	500VA	500VA	500VA	500VA	500VA

Minimum load = 10VA for all load types. \* Electronic ballast only

#### Wiring EM802TD



- Connect optional Momentary Push Switches (EM770X) to enable switching from multiple locations.

**Important:**  
An unlimited number of EM770XWE can be connected to an EM802TD. However, the total length of the load wire used to interconnect all of the EM770XWE should not exceed 50 metres.

**Note:**  
For other technical details please refer to the installation instructions of each device.

**Load compatibility disclaimer:**  
Although significant efforts have been made to ensure Dimmers are compatible with a large variety of drivers (CFL, LEDs), it is not possible to guarantee 100% compatibility with all devices.

## Rotary dimmers

### Rotary dimmers - EM250TR/EM400TR/EM700TR Technical characteristics

Temperature +50°C +0°C 230-240V a.c. 50Hz	Terminal block 1 x 2.5mm <sup>2</sup> 2 x 1.5mm <sup>2</sup>	Incandescent	Halogen	Fluorescent tube	Wirewound transformer	Electronic transformer	Compact fluorescent	LED	Fan motor
		Max load EM250TR	1 dimmer per plate	250W	250W	X	X	250VA	250VA see note 2
2 dimmers per plate	225W		225W	X	X	225VA	225VA see note 2	see note 1	X
3 or more dimmers per plate	200W		200W	X	X	200VA	200VA see note 2	see note 1	X
Max load EM400TR	1 dimmer per plate	400W	400W	X	X	400VA	400VA see note 2	see note 1	X
	2 dimmers per plate	350W	350W	X	X	350VA	350VA see note 2	see note 1	X
	3 dimmers per plate	300W	300W	X	X	300VA	300VA see note 2	see note 1	X
Max load EM700TR	1 dimmer per plate	700W	700W	X	X	700VA	700VA see note 2	see note 1	X

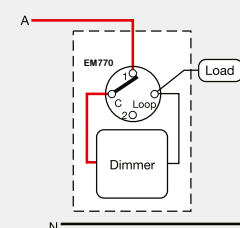
Minimum load = 10VA for all load types

**NOTE 1:** Not compatible with all dimmable LEDs. Should be bench tested prior to installation.

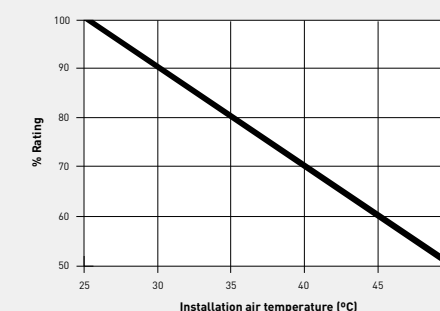
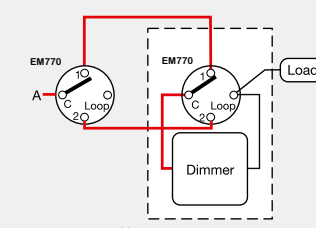
**NOTE 2:** Compact Fluorescent Lamps (CFLs) and LEDs, also known as Energy Saving Lamps, can only be dimmed if they are specifically marked as "dimmable". Dimmable CFLs may have different characteristics from brand to brand, and so each brand may require a specific type of dimmer to operate correctly. Using the incorrect dimmer may cause the CFL to flicker. Please read the documentation that comes with each CFL carefully to ensure that the CFL and dimmer are compatible. For more information, please contact HPM Legrand. In some cases, the dimmable CFL may turn off or flicker when dimmed to a very low brightness. This can be overcome by ensuring that the dimmer brightness is not set too low. See "Setting minimum brightness" for instructions on how to achieve this.

#### Wiring for rotary dimmers

##### One-way wiring diagram



##### Two-way wiring diagram

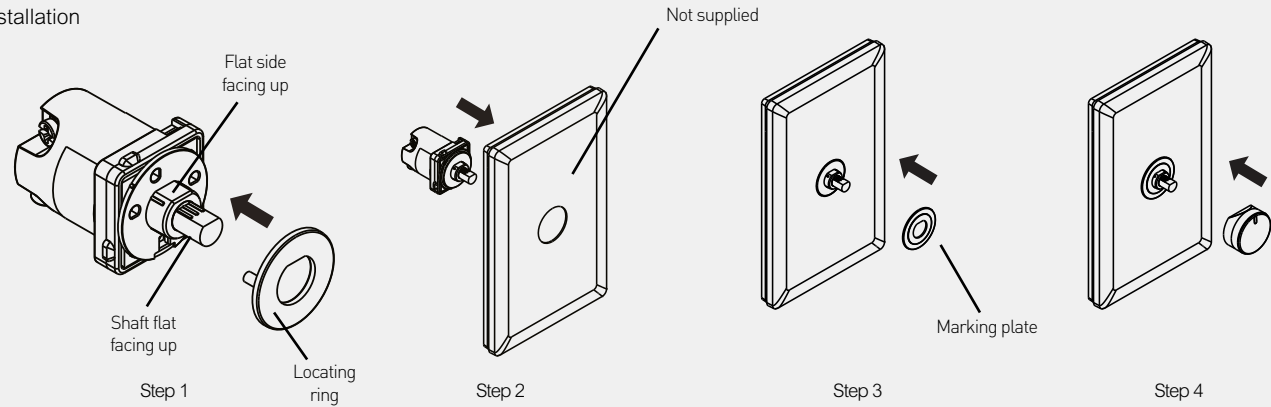


**Important:**  
When used in ambient temperatures greater than 25°C, the dimmer must be de-rated according to the following chart.



## Rotary switch - EMRSWE/UG/BL

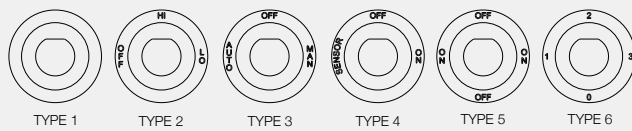
### Installation



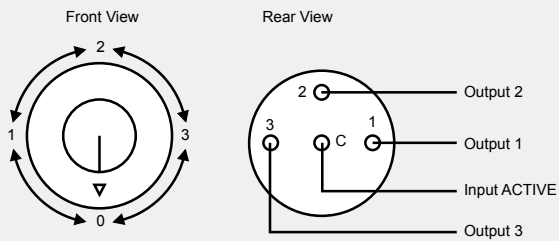
### Rotation ring options



### Marking plate options

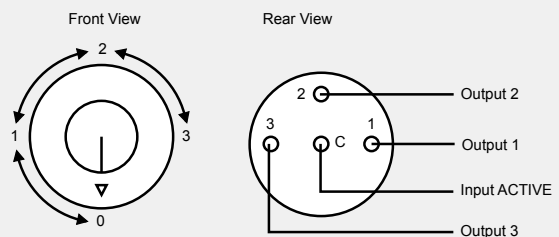


### Wiring for 360° rotation



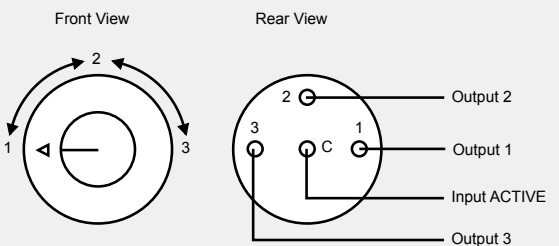
SELECT ONE OF THE FOLLOWING WIRING OPTIONS:				
POSITION				WIRING
0	1	2	3	
OFF	ON	ON	ON	Connect All Terminals
OFF	ON	OFF	ON	Do Not Connect Terminal 2

### Wiring for 270° rotation



SELECT ONE OF THE FOLLOWING WIRING OPTIONS:				
POSITION				WIRING
0	1	2	3	
OFF	ON	ON	ON	Connect All Terminals

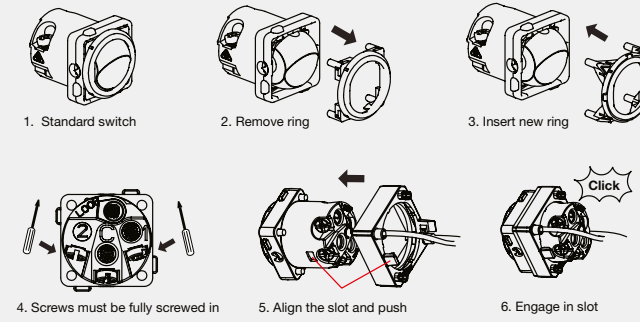
### Wiring for 180° rotation



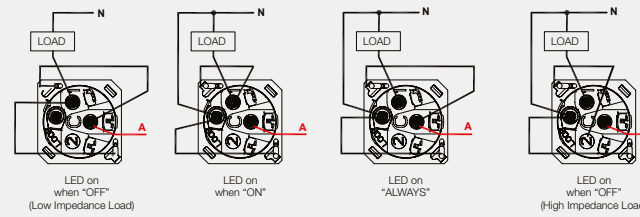
SELECT ONE OF THE FOLLOWING WIRING OPTIONS:				
POSITION				WIRING
1	2	3		
ON	ON	ON		Connect All Terminals
ON	OFF	ON		Do Not Connect Terminal 2
OFF	ON	ON		Do Not Connect Terminal 1
ON	ON	OFF		Do Not Connect Terminal 3

## Illuminated LED ring kits

### Installation EM770LED - LED 770 illumination kit



### Wiring

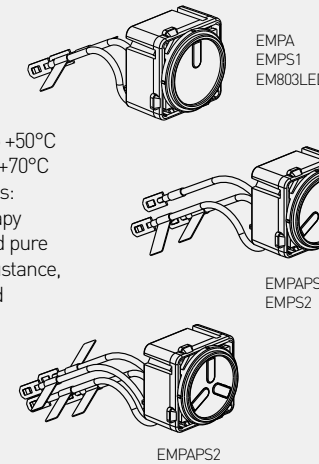


Note: Low Impedance Load examples include incandescent, halogen, resistive loads High Impedance Load examples include CFLs, LED globes

### LED Power Available/Power Supplied Indicator Kits EMPAPS2, EMPAPS1, EMPA, EMPS1, EMPS2, EM803LED

#### Features

- Voltage: 230-240V a.c.
- Frequency: 50Hz
- Current: 1.2mA per indicator
- Operating temperature: -5°C to +50°C
- Storage temperature: -10°C to +70°C
- Resistant to the following agents: Hexane, methylated spirits, soapy water, diluted ammonia, diluted pure bleach (10%), glass cleaning substance, pre-impregnated wipes, diluted hydrogen peroxide
- Not resistant to the following agents: Acetone, tar remover, trichloroethylene

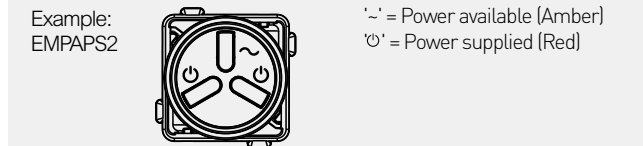
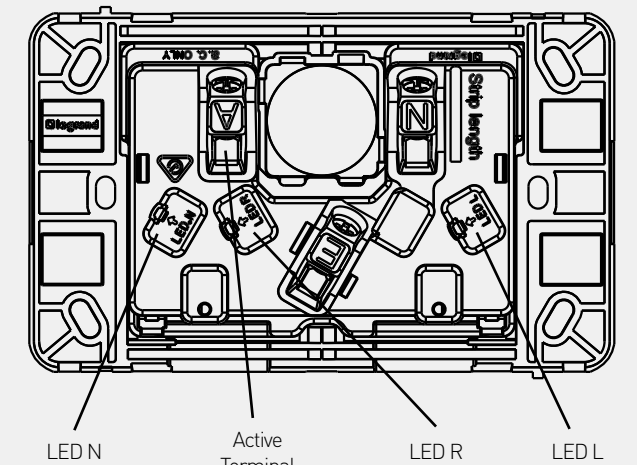


## LED power supplied/power available indicator kits

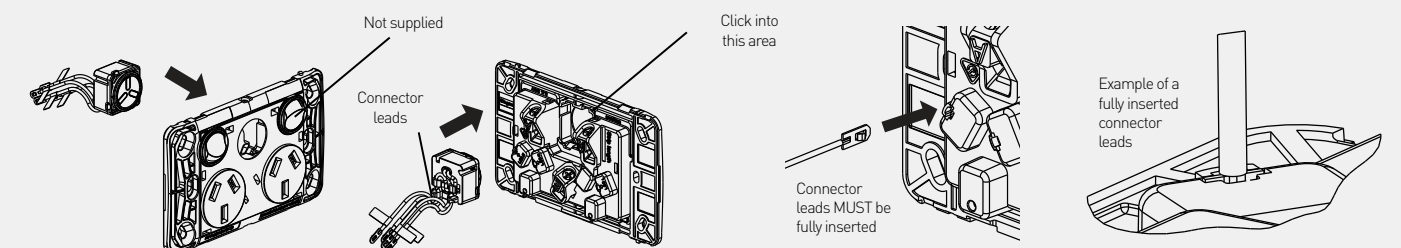
### Wiring

Wire/lead marking	LED N	LED L	LED R	LED	A
EMPAPS2	Neutral	Switched Active (LHS)	Switched Active (RHS)		Active
EMPAPS1	Neutral			Switched active	Active
EMPA	Neutral				Active
EMPS2	Neutral	Switched Active (LHS)	Switched Active (RHS)		
EMPS1	Neutral			Switched active	
EM803LED (power available)**	Neutral				Active
EM803LED (power supplied)	Neutral				Switched active
EM803LED (power available without neutral)**	Switched active				Active

++ = In this mode the LED indicator will be ON whenever there is power available to the product.  
\*\* = In this mode the LED indicator will only be ON whenever the associated switch/socket is OFF. The current required to light the indicator when the switch is ON will be bled through the load.



### Installation EMPAPS2, EMPAPS1, EMPA, EMPS1, EMPS2, EM803LED LED Power Available/Power Supplied Indicator Kits

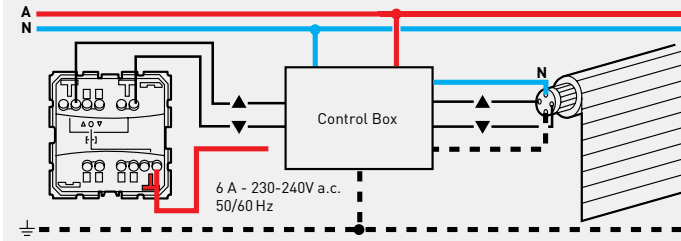


## Shutter, blind, curtain control

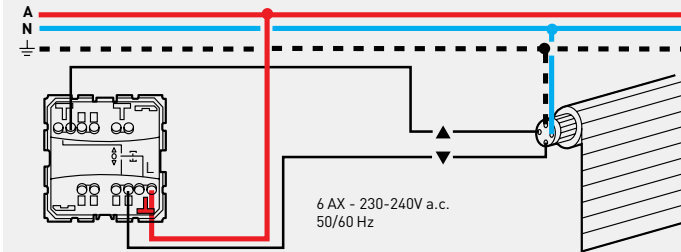
## Plates and cut-out dimensions

### Wiring

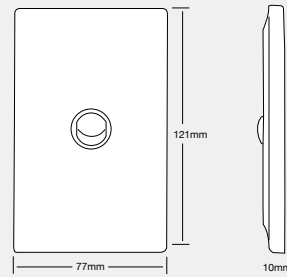
Push-button switch (Cat No EC919WE)



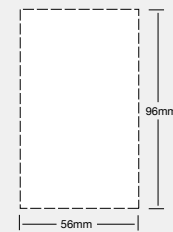
Push-button switch (Cat No EC920WE)



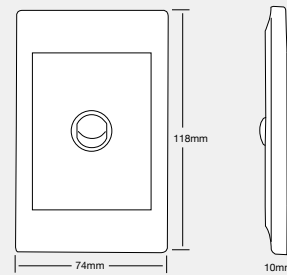
Dedicated plate series dimensions



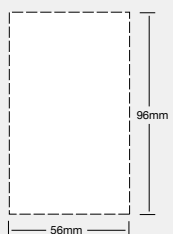
Maximum cut-out dimensions



Common plate series dimensions



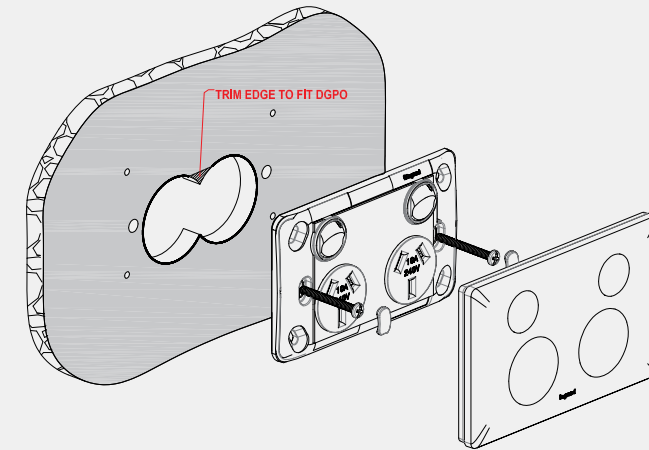
Maximum cut-out dimensions



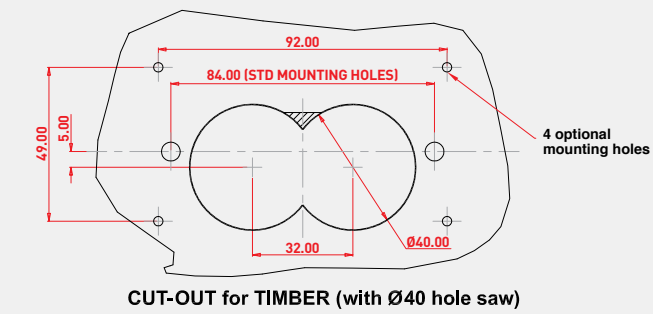
## Powerpoint installation details

### Hard Surfaces Installations Double powerpoint 10A

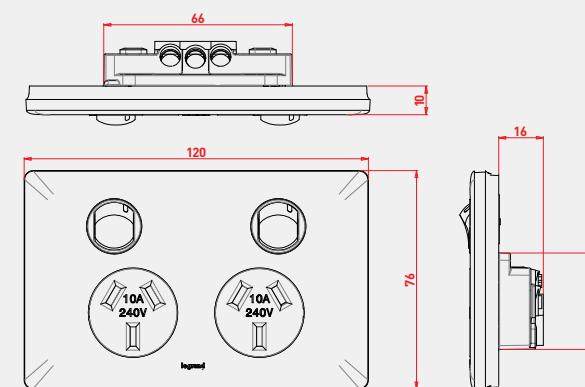
Assembly



Cut-out dimensions



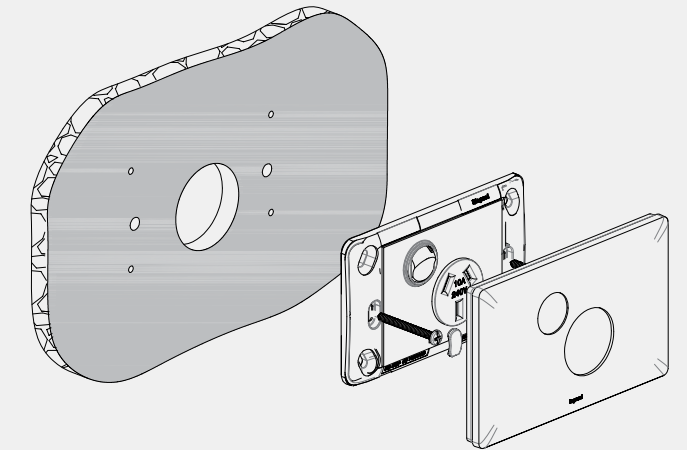
Product dimensions



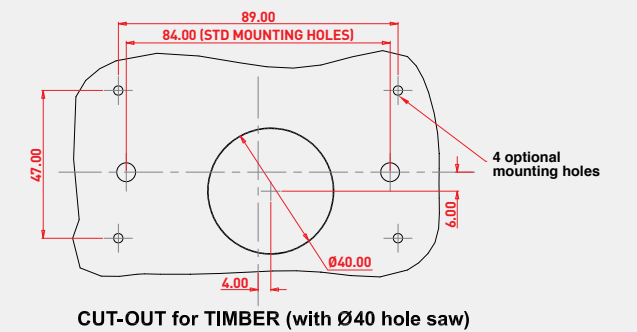
Note:  
Cut-out dimensions for other devices are 96mm x 56mm

Single powerpoint 10A

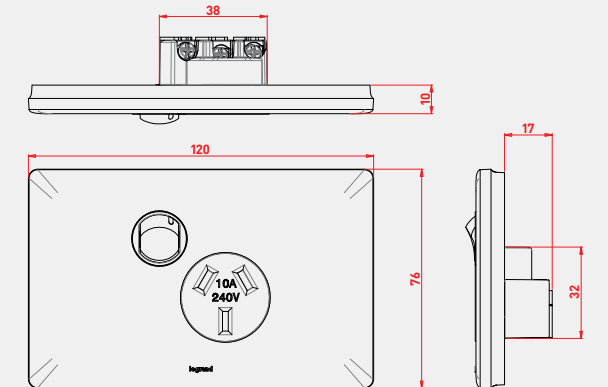
Assembly



Cut-out dimensions

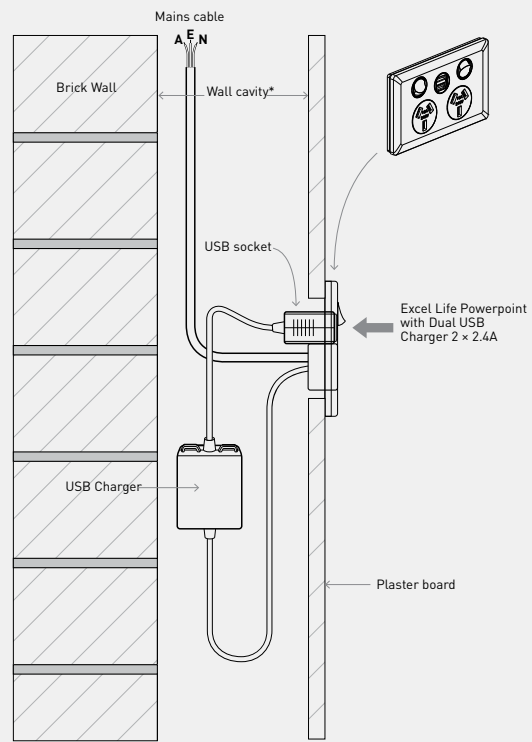


Product dimensions



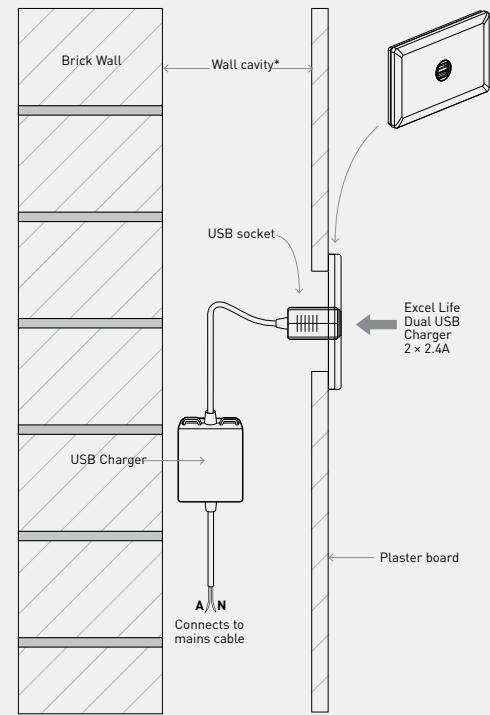
## USB Chargers installation details

Installation in plasterboard – USB Powerpoint



e.g. ED777USB2PSAWE

Installation in plasterboard – USB Charger



e.g. EMUSB2PSAWE + ED770/1GPLWE



Disclaimer: The information provided in this document is intended for informational purposes only has been prepared and reviewed with all reasonable care, believed to be correct at the time of printing. Legrand Australia and New Zealand may also make improvements and/or changes in the products, pricing and/or programs described in this information at any time without notice.



**Legrand Australia**  
Building 4, Nexus Industry Park  
43-47 Lyn Pde Prestons NSW 2170  
1300 369 777  
[www.legrand.com.au](http://www.legrand.com.au)

**Legrand New Zealand**  
106-124 Target Road Glenfield  
Auckland 0627 New Zealand  
0800 476 009  
[www.legrand.co.nz](http://www.legrand.co.nz)