

Datasheet

Galaxy Station - Large, Medium, Small

CAT. NO. 659185, 659184, 659183




659184



659185



659183

Cat. No.	659183	659184	659185
Nominal Input Voltage	230 - 240 V a.c. 50 Hz	POE 48 V	
Wireless Transmission	915 - 928 MHz		
Power Consumption	15 W		
Connection	RJ45 (Ethernet 10/100)		
Operating Temperature	-20°C to 55°C		
IP Rating	IP31	IP67	
IK Rating	IK08		
UV Resistance	UL508		
User Interface	Power Indicator: Green = On		
Humidity Rating	5% to 95%	95%	
Flammability Rating	UL94-V0		
Weight	500g	2 kg	
Compliance	AS/NZS 4268, EN-300-220, EN-300-440, EN-301-489 AS/NZS 609500-1, AS/NZS3112 EN 55022, EN 55014 EN 62311, EN 62479, AS CISPR 15	IEC 60950-1 AS/NZS 4268 EN 55022, AS CISPR 15	
Product Marking	 R-NZ		

* Coverage will vary depending on the environment and application. A site survey MUST be done to determine the best position of the Galaxy Station for optimum coverage.



GALAXY
CONNECTED EMERGENCY LIGHTING SYSTEM



Datasheet

Galaxy Station - Large, Medium, Small

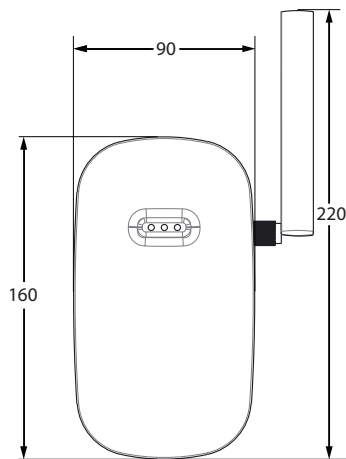
CAT. NO. 659185, 659184, 659183



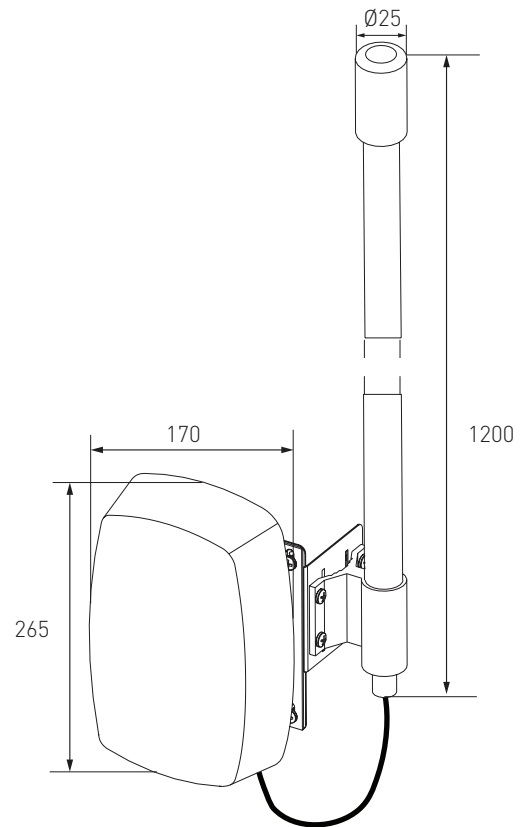
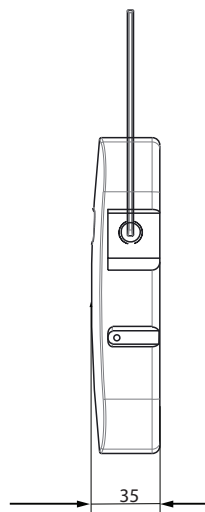
FEATURES

- Wireless long range and deep indoor coverage.
- Bidirectional communications with emergency luminaires.
- Network and application encryptions ensures two levels of security during communications.
- Adaptive Data Rate (ADR) transmission ensures all luminaires are connected within range.
- Plug and play into existing IT infrastructure for ease of remote access.
- 5 Year Warranty

DIMENSIONS



Small Station



Large Station

Legrand - Australia
1300 369 777
www.legrand.com.au
ABN 31 000 102 661

Legrand - New Zealand
0800 476 009
www.legrand.co.nz

Refer to your group buying office, Legrand Sales Representative or Legrand Sales office for pricing.

Please note: specifications are subject to change without prior notice.



LE13251AA

08/2021